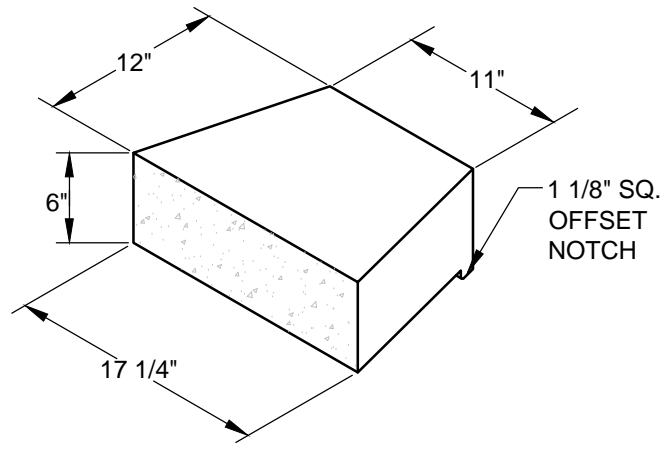
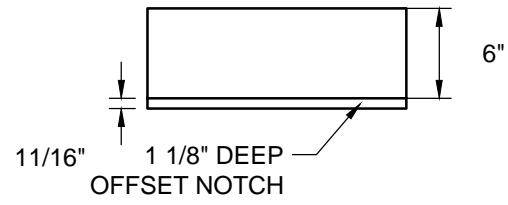


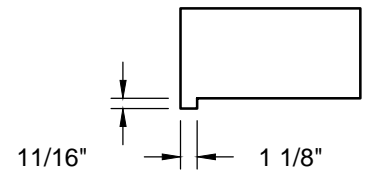
TOP VIEW



ISOMETRIC VIEW



FACE VIEW



SIDE VIEW