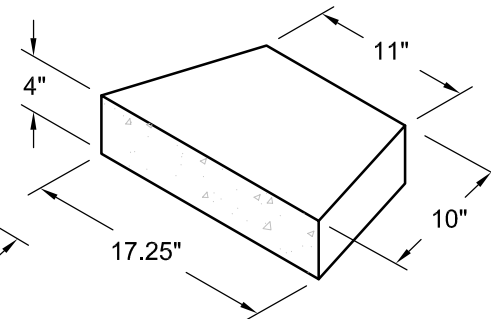
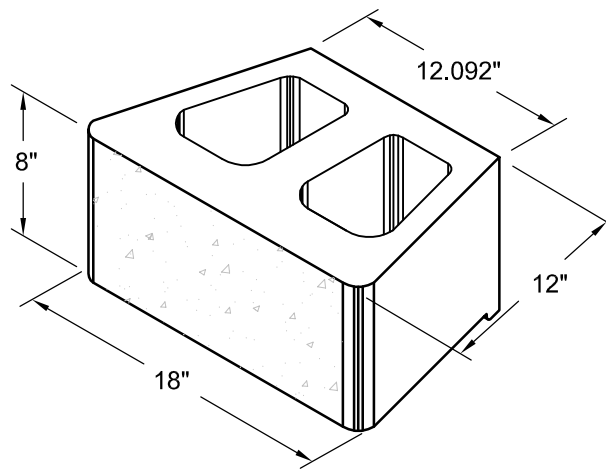


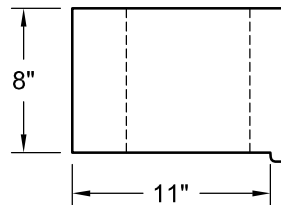
TOP VIEW



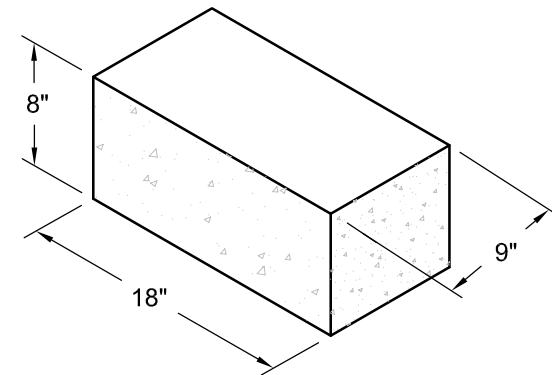
CAP UNIT



FRONT VIEW



SIDE VIEW



CORNER UNIT



© 2015 Anchor Wall Engineering, LLC
 © and ™ Anchor Wall Systems, Inc.
www.anchorwall.com

This drawing is for illustrative purposes only and should not be used for construction without the signature of a registered professional engineer.

Diamond Pro Stone Cut® Retaining Wall System

Individual Block Details

Scale:
3/8" = 1'-0"

Drawn by:
SB

Date:
1/19/2016

Drawing number:
DPCR01