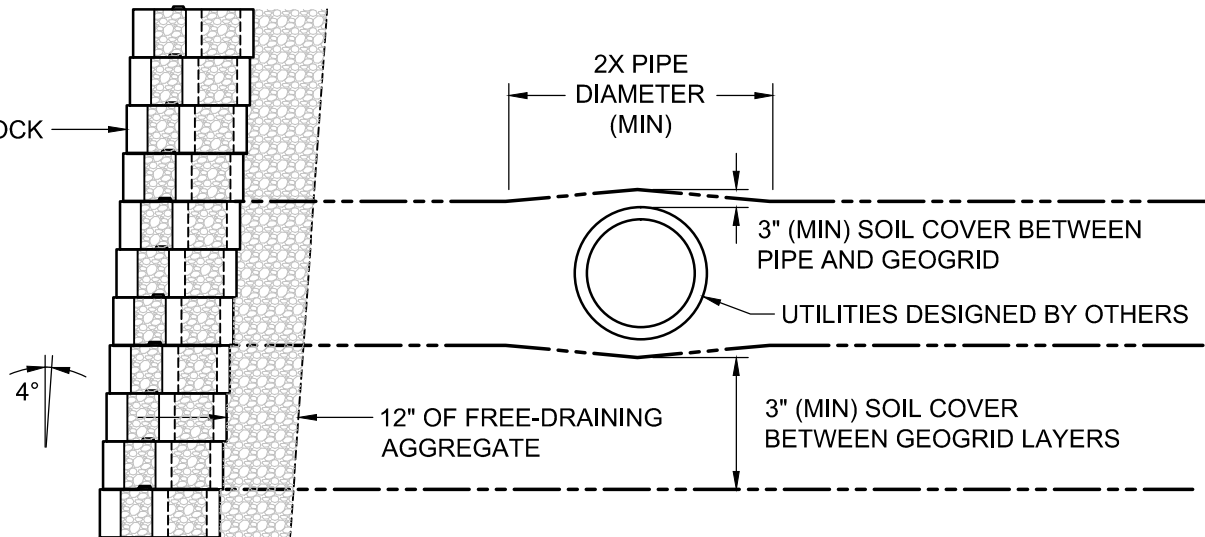


VERTICA PRO® BLOCK

BATTER MAY VARY
BY MANUFACTURER



© 2015 Anchor Wall Engineering, LLC
© and ™ Anchor Wall Systems, Inc.
www.anchorwall.com

This drawing is for illustrative purposes only and should not be used for construction without the signature of a registered professional engineer.

Vertica Pro® Straight Face Retaining Wall System

Typical Cross Section With Parallel Utilities

Scale:
3/8" = 1'-0"

Drawn by:
LM

Date:

Drawing number:
VPST21