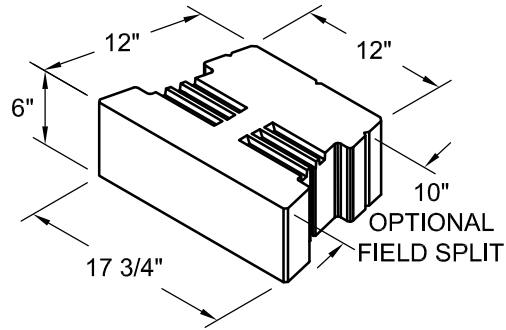
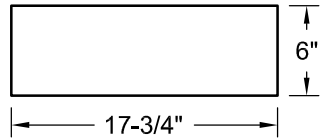


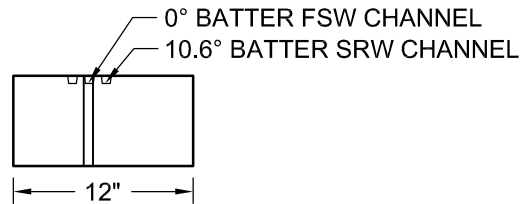
TOP VIEW



ISOMETRIC VIEW



FACE VIEW



SIDE VIEW



© 2017 Anchor Wall Engineering, LLC  
 © and ™ Anchor Wall Systems, Inc.  
[www.anchorwall.com](http://www.anchorwall.com)

This drawing is for illustrative purposes only and should not be used for construction without the signature of a registered professional engineer.

## Sterling™ Retaining Wall System

### Individual Block Details

Scale:  
3/8" = 1'-0"

Drawn by:  
SB

Date:  
9/26/2017

Drawing number:  
SRST01