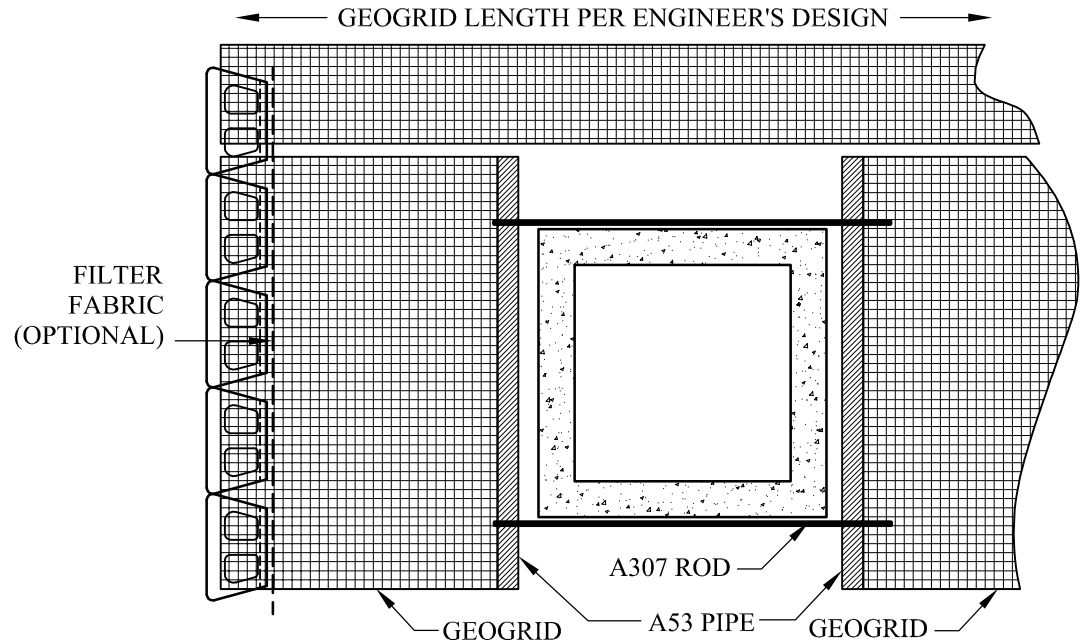
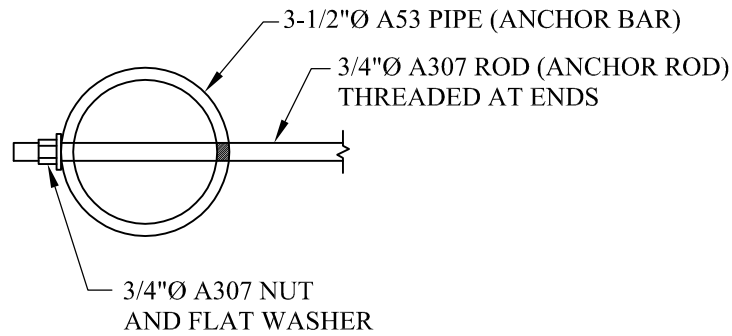


NOTE: PIPE AND BAR SIZES SHOWN ARE MINIMUMS AND MAY REQUIRE ENGINEERING PRIOR TO CONSTRUCTION OF THE SEGMENTAL RETAINING WALLS



Anchor Wall Systems, Inc.
5959 Baker Road, Suite 390
Minnetonka, MN 55345

© 2014 Anchor Wall Systems, Inc.
® and ™ Anchor Wall Systems, Inc.

Drawn By: SB
Date: 7/29/2013
Scale: 3/8" = 1'-0"

Drawing Title:
Diamond® 10D Retaining Wall System
Typical Drop Structure Detail

Typical Details For
Segmental Retaining Walls