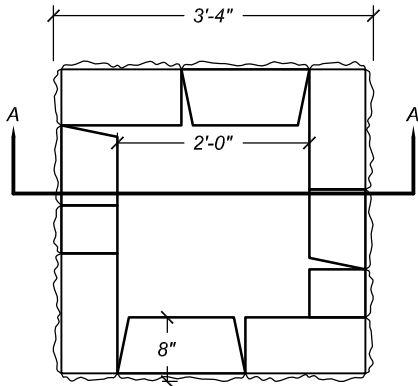


COURSE 1

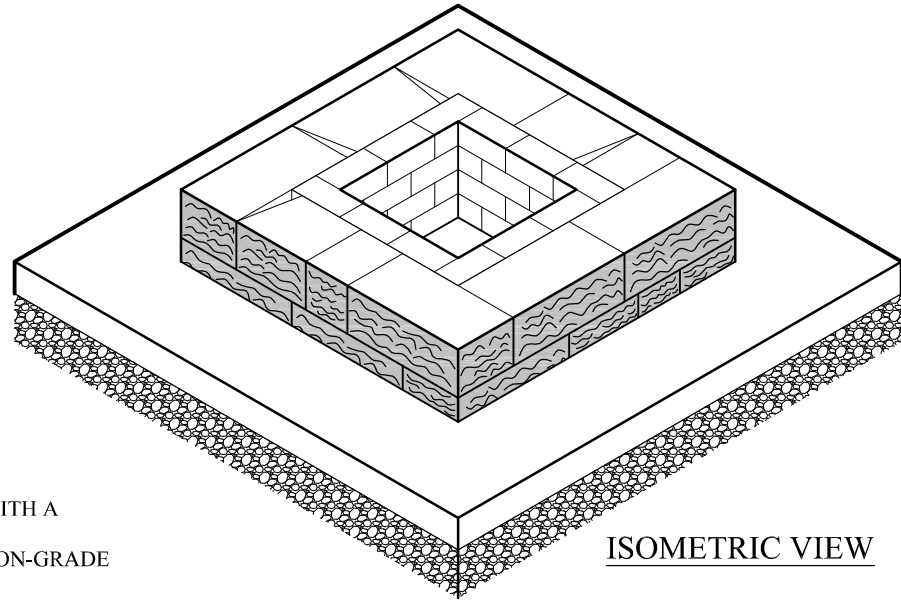


COURSE 2

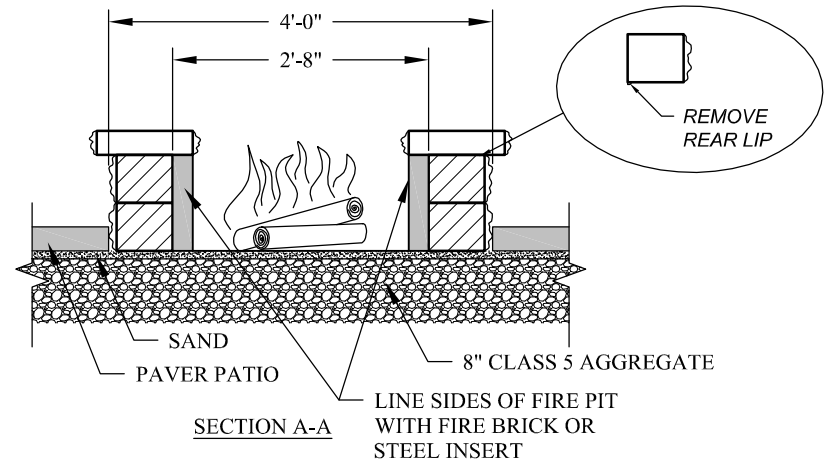
NOTES:

- 1) INSIDE OF FIRE PIT MUST BE LINED WITH A HEAT-RESISTANT MATERIAL.
- 2) AFFIX ALL UNITS WITH CONSTRUCTION-GRADE ADHESIVE.
- 3) THESE BLOCKS ARE NOT FIREPROOF AND COULD START TO CRACK UNDER EXTREME HEAT. THESE BLOCKS ARE INTENDED FOR LANDSCAPE APPLICATIONS AND ARE NOT FIRE-RATED. OVER TIME THE BLOCKS MAY CRACK. A POSSIBLE SOLUTION IS TO USE HEAVY FIRE-RATED BRICKS OR A STEEL LINER ON THE INTERIOR OF AN ABOVE- OR BELOW-GROUND FIRE PIT WITH THE BLOCKS OUTSIDE THE PERIMETER. AGAIN, THE HEAT MAY ADVERSELY AFFECT LANDSCAPE PRODUCTS, EVEN WITH AN INTERIOR HEAT-RESISTANT BARRIER IN PLACE.

PIECE COUNTS:	
COLUMN/CORNER	8
6X16	5
6X10	3
6X6	3



ISOMETRIC VIEW



SECTION A-A



Anchor Wall Systems, Inc.
5959 Baker Road, Suite 390
Minnetonka, MN 55345

© 2013 Anchor Wall Systems, Inc.
® and ™ Anchor Wall Systems, Inc.

Drawn By: SB
Date: 8/7/2013
Scale: 1/2"=1'-0"

Drawing Title:
**Brisa® 6" and Brisa® Random Retaining Wall Systems
Square Fire Pit Construction**

Typical Details For
Segmental Retaining Walls