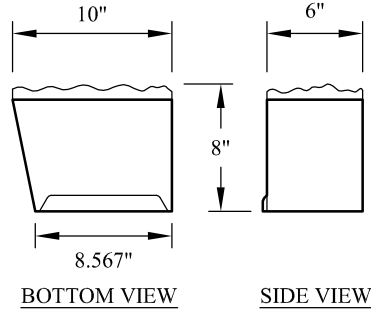
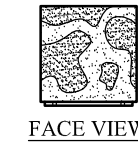
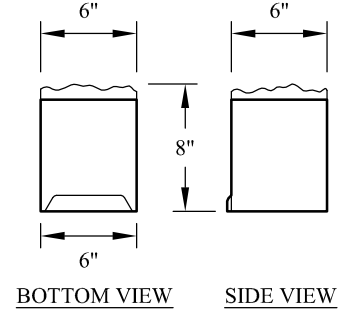


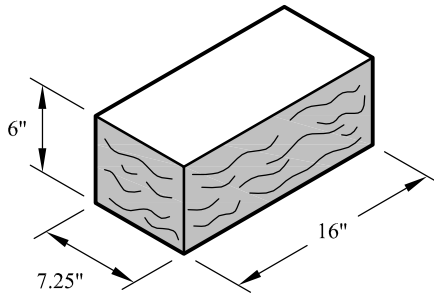
6x16x8 UNIT



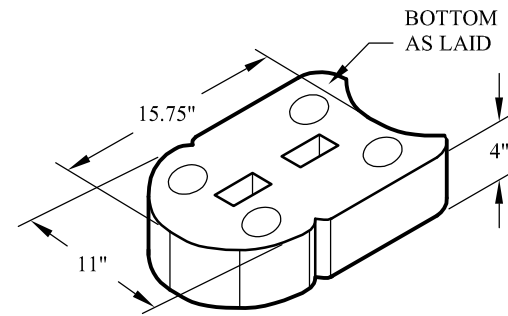
6x10x8 UNIT



6x6x8 UNIT



COLUMN / CORNER UNIT



TORPEDO™ BASE BLOCK

NOTE:
FACE TEXTURES SHOWN ARE ILLUSTRATIVE ONLY AND ARE NOT REPRESENTATIVE OF ACTUAL BLOCK TEXTURES



Anchor Wall Systems, Inc.
5959 Baker Road, Suite 390
Minnetonka, MN 55345

© 2013 Anchor Wall Systems, Inc.
® and ™ Anchor Wall Systems, Inc.

Drawn By:	SB
Date:	8/12/2013
Scale:	None

Drawing Title:
Brisa® 6" and Brisa® Random Retaining Wall Systems
Individual Block Details

Typical Details For
Segmental Retaining Walls