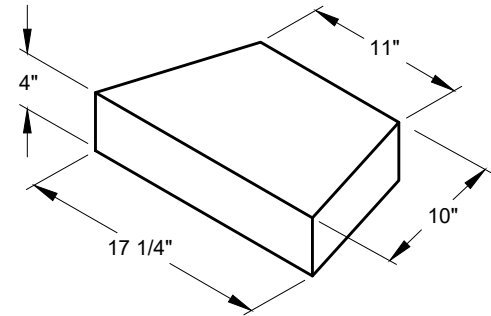
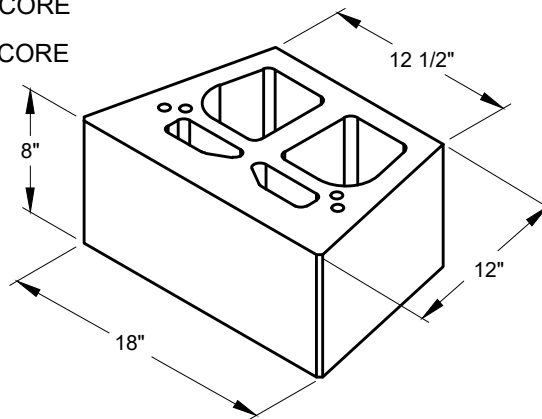
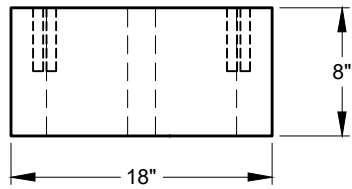


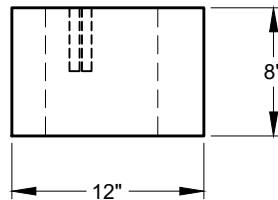
TOP VIEW



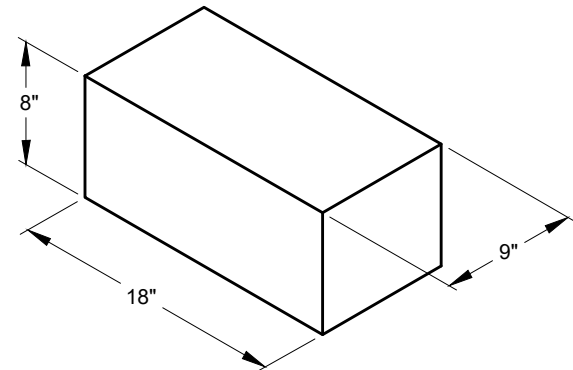
CAP UNIT  
(MAY VARY BY MANUFACTURER)



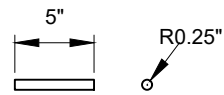
FRONT VIEW



SIDE VIEW



CORNER UNIT  
(MAY VARY BY MANUFACTURER)



FIBERGLASS PIN



This drawing is for illustrative purposes only and should not be used for construction without the signature of a registered professional engineer.

www.anchordiamond.com

© 2022 ANCHOR Engineering, LLC® and © 2022 ANCHOR DIAMOND®

## Diamond Pro® PS Retaining Wall System

### Individual Block Details - Smooth Face

Scale:	Drawn by:
3/8" = 1'-0"	SB
Date:	Drawing number:
10/13/2022	DPSP38